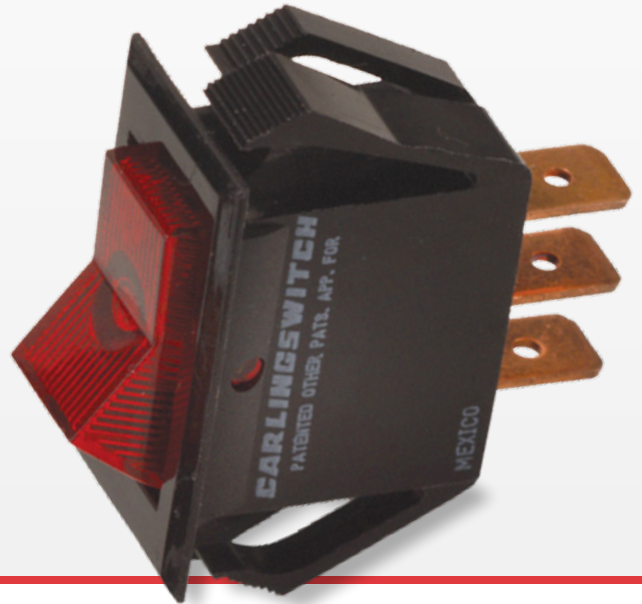


LTA-Series

Single Pole Lighted Rocker & Paddle Switches

PRODUCT WEBPAGE

request sample, configure part



The illuminated predecessor to the Corvette series whose versatility has allowed it to stand the test of time. Traditional styling coupled with self cleaning contacts, integrated wire leads, and various actuator choices has made the LTA-Series appeal to a wide range of markets.

1	10-15	125-250	6-24
Pole	Amps	VAC	VDC

Typical Applications

- Appliances
- Transportation
- Medical
- HVAC
- Commercial Food

Tech Specs

Dielectric Strength

UL/CSA: 1000V - live to dead metal parts
750V - across open contacts

Electrical Life

100,000 cycles

Operating Temperature

32°F to 185°F (0°C to 85°C)

Ordering Scheme

Sample Part Number

LTA201 - P R - B - A / 125N

Selection

1

2

3

4

5

6

1. SERIES

10A 250VAC; 15A 125VAC; 3/4 HP 125-250VAC
OFF-NONE-ON Solder Lugs .250 Tabs .187 Tabs Wire Leads
LTA200 LTA201 LTA203 LTA205

5. LENS COLOR 2,3

Blank No Lens -G Green
-A Amber -R Red
-C Clear -LU Blue

2. ACTUATOR STYLE 3

T Rocker PS Short Paddle
P Paddle

6. LAMP VOLTAGE 2

006V 6V incandescent 024V 24V incandescent
012V 12V incandescent 125N 125V neon
018V 18V incandescent 250N 250V neon

3. ACTUATOR COLOR 1

A Amber B Black 4
C Clear W White 4
R Red
G Green 2

Notes:

- Additional ratings and colors are available. Consult factory for details.
- Neon lamps not recommended with green or blue rocker/lenses.
- Lens color is specified only if actuator style is P or PS. If style is T (rocker), then leave position 5 blank.
- Available with paddle ("P & PS") style actuators only.

4. BEZEL COLOR 1

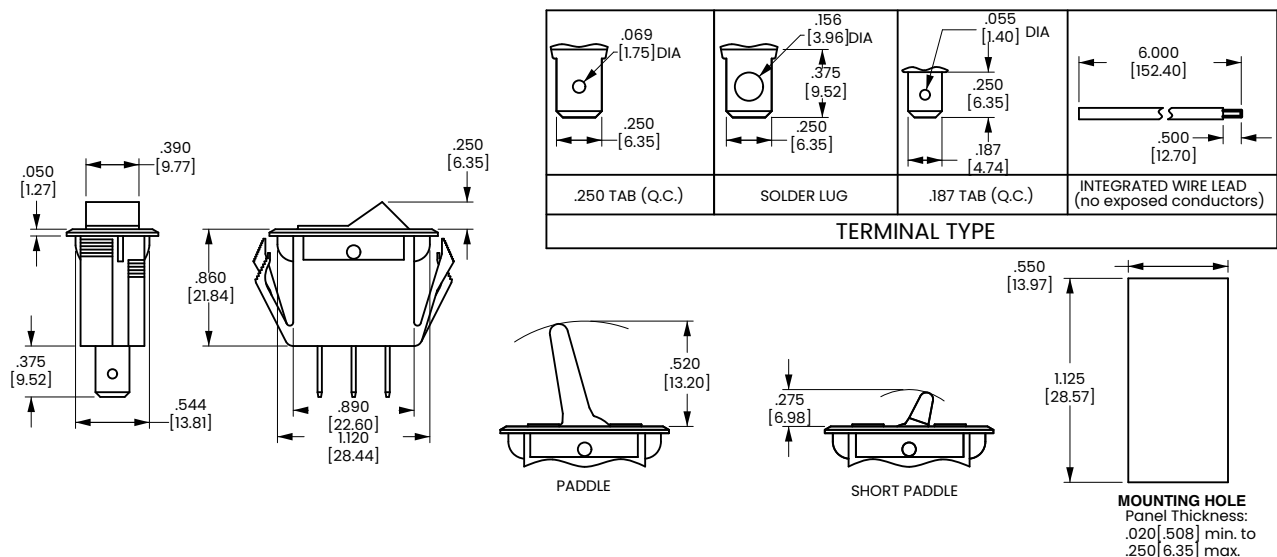
B Black W White

[Configure Complete Part Number >](#)

[Browse Standard Parts >](#)

Dimensional Specs

inches [millimeters]



Authorized Sales Representatives and Distributors

Click on a region of the map below to find your local representatives and distributors or visit www.carlingtech.com/findarep.



About Carling

Founded in 1920, Carling Technologies is a leading manufacturer of electrical and electronic switches and assemblies, circuit breakers, electronic controls, power distribution units, and multiplexed power distribution systems. With six ISO9001 and IATF16949 registered manufacturing facilities and technical sales offices worldwide, Carling Technologies Sales, Service and Engineering teams do much more than manufacture electrical components, they engineer powerful solutions! To learn more about Carling please visit www.carlingtech.com/company-profile.

To view all of Carling's environmental, quality, health & safety certifications please visit www.carlingtech.com/environmental-certifications.

© Carling Technologies, Inc.

3. Carling, Curvette are registered trademarks of Carling Technologies, Inc. in the U.S. and other countries.