

CX-Series

Hydraulic-Magnetic Circuit Breaker

PRODUCT WEBPAGE

request sample, configure part, watch video



High Amperage and DC Voltage Circuit Breaker Disconnect for UL 489B Applications

The CX-Series hydraulic-magnetic circuit breakers employ a patented magnetic flux boosting terminal configuration to offer rapid cooling and superior performance for high amperage and high DC voltage applications. Compact in size, the CX-Series is available as a one pole breaker rated up to 125 amps, as a two to four pole breaker rated up to 115 amps, and as a disconnect option with additional amperage and pole configuration options. Maximum voltage capacity of 600VDC and 10,000 amps max IC.

1-5 125 600 Suited for 380VDC
 Poles Amps Max VDC Max Applications

Typical Applications

- Datacom, PDU and UPS Systems
- Renewable Energy
- Charging Stations
- Mission Critical Equipment
- Power Supplies and Convertors
- Motor Controllers
- Smart Grids

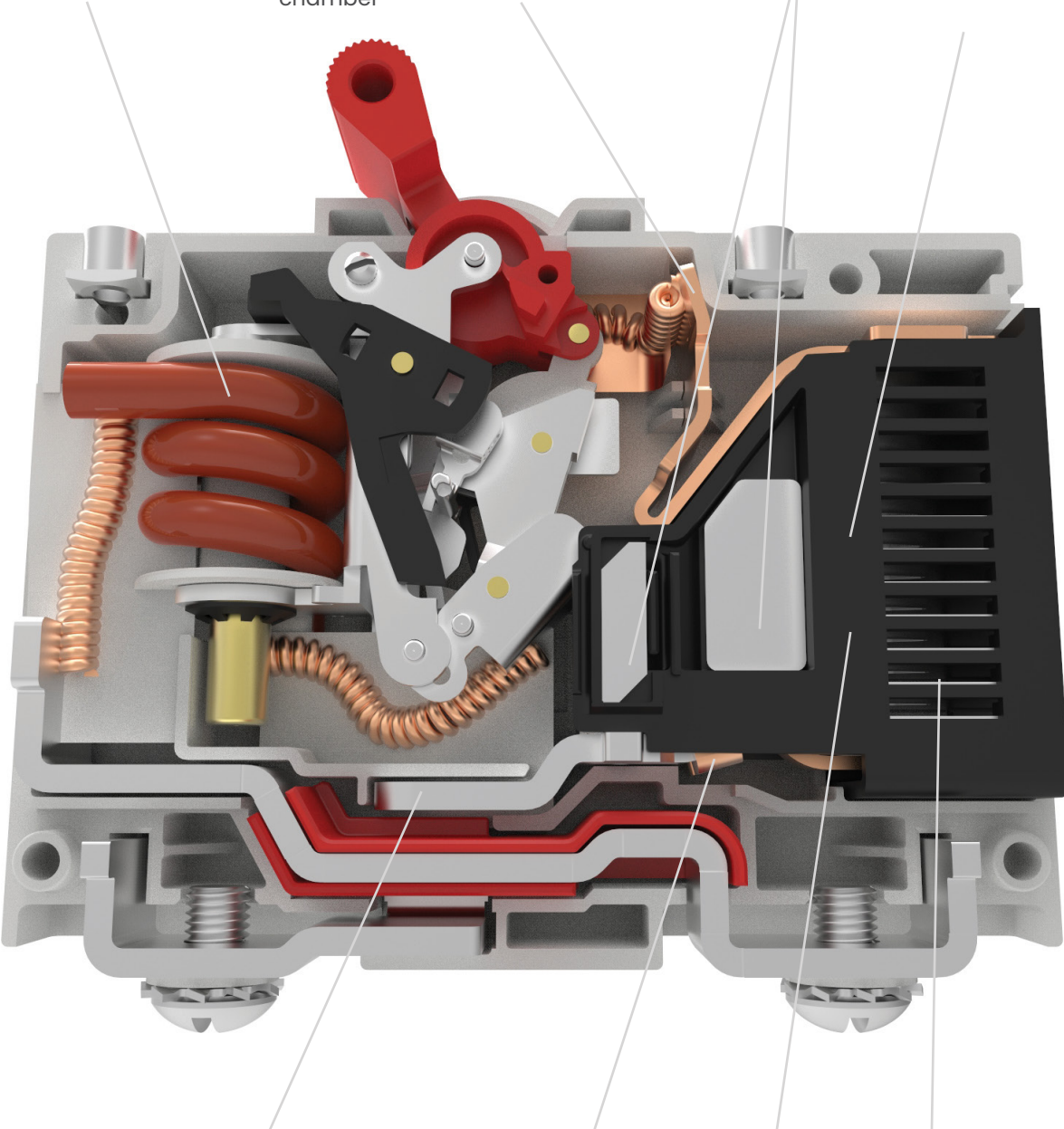
Design Features

HYDRAULIC/MAGNETIC SENSING COIL

UPPER ARC RUNNER
Aids in motivating arc off of movable contact and into arc chamber

MAGNETS

ARC SPLITTER RETAINER
with integrated pressurizing walls



PATENTED MAGNETIC FLUX BOOSTING TERMINAL CONFIGURATION
Design enhances motivation of arc into arc chamber

LOWER ARC RUNNER
Aids in motivating arc off of stationary contact and into arc chamber

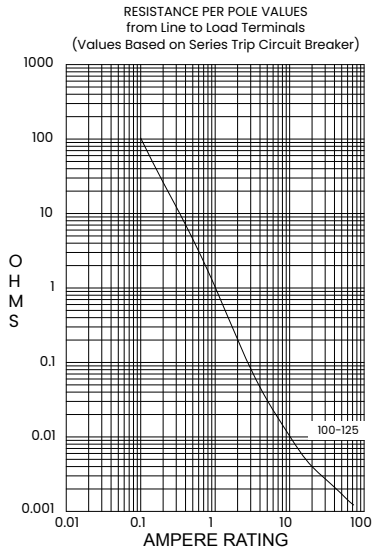
LARGE ARC GAP
To generate high arc voltages

(12) ARC DEIONIZING SPLITTER PLATES

Tech Specs

Electrical

| | |
|-----------------|--|
| Maximum Voltage | 600 VDC |
| Overload | 50 operations at 600% of rated current for UL489, and at 150% of rated current for UL1077. |



| CURRENT (AMPS) | TOLERANCE (%) |
|----------------|---------------|
| 0.10 - 5.0 | 15 |
| 5.1 - 20.0 | 25 |
| 20.1 - 50.0 | 35 |

Physical

| | |
|--------------------------------|---|
| Number of Poles | 1- 2 poles, + Auxiliary Switch Pole. |
| Termination | 10-32 or M5 Screw Terminals |
| Terminals | 1/4-20 or M6 Threaded Stud |
| Termination Barrier | Standard with multi-pole constructions |
| Mounting | Threaded insert: #6-32 UNC-2B, or M3X0.5-6H B ISO (2 per pole) |
| Actuator | Handle, 1 per pole. |
| Internal Circuit Configuration | Series Trip |
| Materials | Housing - Glass filled Polyester Handle - Glass filled Polyester Line/Load Terminals - Copper Alloy.~150 Grams (~5.3 Ounces). |
| Weight | ~150 Grams (~5.3 Ounces). |
| Standard Color | Housing - Gray. Handle - White, Black, Red, Green, Blue, Yellow, Gray, |

Environmental

Designed and tested in accordance with requirements of specification MIL-PRF-55629 & MIL-STD-202 as follows:

| | |
|-----------------------|---|
| Shock | Withstands 100 Gs, 6ms saw tooth while carrying rated current per MILPRF-55629 and MIL-STD-202G, Method 213G, Test Condition "I". Instantaneous and ultra short curves tested at 90% of rated current |
| Vibration | Withstands 0.060" excursion from 10-55 Hz & 10 Gs 55-500 Hz, at rated current per MIL-PRF-55629 and MILSTD-202G, Method 204D, Test Cond. A. Instantaneous & ultrashort curves tested at 90% of rated current. |
| Moisture Resistance | MIL-PRF-55629 and MIL-STD-202G, Method 106G, i.e., Ten 24-hour cycles at +25°C to +65°C, 80-98% RH. |
| Salt Spray | Method 101, Condition A (90-95% RH at 5% NaCl Solution, 96 hrs). |
| Thermal Shock | MIL-PRF-55629 and MIL-STD-202G, Method 107G, Condition A (5-cycles at -55°C to +25°C to +85°C to +25°C). |
| Operating Temperature | -40°C to +85°C. |

Mechanical

| | |
|-----------------|--|
| Endurance | Max 10,000 ON-OFF operations @ 6 per minute; 6000 with rated current & voltage, and 4,000 cycles mechanical. |
| Trip Free | Trips on overload even when actuator is forcibly held in the "On" position. |
| Trip Indication | The operating handle moves positively to the "Off" position when an overload causes the breaker to trip. |

Tech Specs

Tables

Table A: Lists UL Listed (UL489) configuration and performance capabilities as a Molded Case Circuit Breaker

| UL489 Listed Branch Circuit Breakers | | | | | |
|--------------------------------------|------------------------|-----------|---------------------------|------------------------------|-------|
| Circuit Configuration | Voltage | | Max Current Rating (Amps) | Interrupting Capacity (Amps) | Poles |
| | Max Rating | Frequency | | | |
| Series | 250 | DC | 15 | 5,000 | 1 |
| | 250 / 500 | | | 10,000 | |
| | 205 / 410 | | 50 | | |
| | 225 / 450 ¹ | | 30 | | |

Notes

¹ Special Part Number Required. Consult Factory.

Table B: Lists UL Recognized configurations and performance capabilities as a Component Supplementary Protector

| UL1077 Component Supplementary Protector | | | | | | |
|--|------------|-----------|---------------------------|------------------------------|-------|------------------|
| Circuit Configuration | Voltage | | Max Current Rating (Amps) | Interrupting Capacity (Amps) | Poles | Application Code |
| | Max Rating | Frequency | | | | |
| Series | 300 | DC | 1 - 75 | 5,000 | 1 | TC1, OL0, U3 |
| | 300 | | 76 - 125 | 3,000 | | |
| | 440 | | 1 - 30 | 10,000 | 2 | |
| | | | 31 - 63 | 5,000 | | |
| | 600 | | 1 - 75 | 5,000 | | |
| | | | 78 - 115 | 3,000 | | |
| Switch Only ¹ | 600 | 1 - 115 | - | 2 or 3 | - | |

Notes

¹ Requires inclusion of a relay trip voltage coil

Table C: Lists UL Listed (UL489B) configuration and performance capabilities as a Molded Case Switch

| UL489B Listed Photovoltaic Molded Case Switch | | | | | | |
|---|------------|-----------|----------------|-----------------------|------------------------------|---|
| Circuit Configuration | Voltage | | | Current Rating (Amps) | Interrupting Capacity (Amps) | Application Code |
| | Max Rating | Frequency | Poles | | | |
| Series | 600 | DC | 2 ¹ | 50 - 100 | 600 | May have a third pole that is a voltage pole |
| | | | 4 ² | 110 - 175 | | May have a fifth pole that is a voltage trip pole |

Notes

¹ Two poles in series.

² Two poles in series in parallel with 2 poles in series.

Table D: TUV Certified Configuration to IEC / EN 60947-2. Low Voltage Switch gear and Control gear - Circuit Breakers

| TUV IEC/EN 60947-2 Low Voltage Switch Gear & Control Gear / Circuit Breaker | | | | | |
|---|------------|-----------|-------|-----------------------|--|
| Circuit Configuration | Voltage | | | Current Rating (Amps) | Interrupting Capacity ICS / ICU (Amps) |
| | Max Rating | Frequency | Poles | | |
| Series | 440 | DC | 2 | 1 - 63 | 4,000 |

Time Delay Specs

To view all hydraulic-magnetic circuit breaker time delay values, please visit www.carlingtech.com/sites/default/files/documents/Carling-HM-CB-Time-Delays.pdf

Ordering Scheme UL 489 Listed

Sample Part Number **C X 1 - B 0 - 14 - 615 - 2 2 A - 12 G**

Selection 1 2 3 4 5 6 7 8 9 10 11 12

1. SERIES

C

2. ACTUATOR

X Handle, one per pole

3. POLES

1 One
2 Two

4. CIRCUIT

B Series Trip (current)

5 AUXILIARY/ALARM SWITCH

0 Without Aux Switch

6. FREQUENCY & DELAY

11 DC Ultra Short
12 DC Short
14 DC Medium
16 DC Long

7. CURRENT RATING (AMPERES)

| CODE | AMPERES | | | | |
|------|---------|-----|------|-----|-------|
| 220 | 0.20 | 295 | 0.95 | 460 | 6.00 |
| 225 | 0.25 | 410 | 1.00 | 465 | 6.50 |
| 230 | 0.30 | 512 | 1.25 | 470 | 7.00 |
| 235 | 0.35 | 415 | 1.50 | 475 | 7.50 |
| 240 | 0.40 | 517 | 1.75 | 480 | 8.00 |
| 245 | 0.45 | 420 | 2.00 | 485 | 8.50 |
| 250 | 0.50 | 522 | 2.25 | 490 | 9.00 |
| 255 | 0.55 | 425 | 2.50 | 495 | 9.50 |
| 260 | 0.60 | 527 | 2.75 | 610 | 10.00 |
| 265 | 0.65 | 430 | 3.00 | 710 | 10.50 |
| 270 | 0.70 | 435 | 3.50 | 611 | 11.00 |
| 275 | 0.75 | 440 | 4.00 | 711 | 11.50 |
| 280 | 0.80 | 445 | 4.50 | 612 | 12.00 |
| 285 | 0.85 | 450 | 5.00 | 712 | 12.50 |
| 290 | 0.90 | 455 | 5.50 | 613 | 13.00 |
| | | | | 614 | 14.00 |
| | | | | 615 | 15.00 |
| | | | | 616 | 16.00 |
| | | | | 617 | 17.00 |
| | | | | 618 | 18.00 |
| | | | | 620 | 20.00 |
| | | | | 622 | 22.00 |
| | | | | 624 | 24.00 |
| | | | | 625 | 25.00 |
| | | | | 630 | 30.00 |
| | | | | 635 | 35.00 |
| | | | | 640 | 40.00 |
| | | | | 645 | 45.00 |
| | | | | 650 | 50.00 |

8. TERMINAL

2 Screw Terminal, 10-32
3 Stud, 1/4-20
5 Screw Terminal, M5
6 Stud, M6

9 ACTUATOR COLOR & LEGEND

| Actuator Color | I-O | ON-OFF | Dual | Legend Color |
|----------------|-----|--------|------|--------------|
| White | A | B | 1 | Black |
| Black | C | D | 2 | White |
| Red | F | G | 3 | White |
| Green | H | J | 4 | White |
| Blue | K | L | 5 | White |
| Yellow | M | N | 6 | Black |
| Gray | P | Q | 7 | Black |
| Orange | R | S | 8 | Black |

10. MOUNTING INSERTS

A 6-32 Thread
B M3 Thread

11. MAXIMUM APPLICATION RATING

12 250 VDC
13 250/500 VDC ¹
15 205/410 VDC
19 225/450 VDC ²

12. AGENCY APPROVAL

A Without Approvals
G UL 489 Listed
S UL 489 Listed, TUV to IEC60947-2 ¹

Notes:

- 1 Only Available with 250/500 VDC up to 15 amps.
2 Available 1-30 amps. Special Catalog Number Required. Consult Factor.

[Configure Complete Part Number >](#)

[Browse Standard Parts >](#)

Ordering Scheme UL 489B Listed

Sample Part Number

C **X** **2** - **S** **0** - **03** - **810** - **3** **2** **A** - **06** **14**

Selection 1 2 3 4 5 6 7 8 9 10 11 12

1. SERIES

C

2. ACTUATOR

X Handle, one per pole

3. POLES ^{1,2}

2 Two
3 Three
4 Four
5 Five

4. CIRCUIT

S Switch Only

5. RELAY TRIP VOLTAGE COIL RATING ^{1,2}

0 Without Relay Trip Voltage Coil
A 12 VDC
B 24 VDC
C 32 VDC
D 48 VDC

6. FREQUENCY & DELAY

03 DC Switch Only

7. CURRENT RATING (AMPERES) ^{1,3}

2-Pole Section
810 50A - 100A

4-Pole Section
917 110A - 175A

8. TERMINAL ^{4,5}

3 Stud, 1/4-20
6 Stud, M6
A Stud, 1/4-20, with 10-32 Screw Terminals on Voltage Pole
B Stud, M6, with M5 Screw Terminals on Voltage Pole

9 ACTUATOR COLOR & LEGEND

| Actuator Color | I-O | ON-OFF | Dual | Legend Color |
|----------------|-----|--------|------|--------------|
| White | A | B | 1 | Black |
| Black | C | D | 2 | White |
| Red | F | G | 3 | White |
| Green | H | J | 4 | White |
| Blue | K | L | 5 | White |
| Yellow | M | N | 6 | Black |
| Gray | P | Q | 7 | Black |
| Orange | R | S | 8 | Black |

10. MOUNTING INSERTS

A 6-32 Thread
B M3 Thread

11. MAXIMUM APPLICATION RATING

06 600 VDC

12. AGENCY APPROVAL

A Without Approvals
14 UL489B Listed

Notes:

- 2 Pole Unit is required for ratings between 50A - 100A.
4 Pole Unit is required for ratings between 110A - 175A.
- A Relay Trip Voltage Coil Pole may be added to either the 2 or 4 Pole construction.
The addition of this extra pole dictates a change in the designation for the number of poles in selection 3.
- For Current Ratings between 50A - 100A select current code 810 (100A).
For Current Ratings between 110A - 175A select current code 917 (175A).
- Voltage Pole must have screw terminals.
Switch Pole must have stud terminals.
- On 3 Pole Unit, Voltage Pole to be located at P1 as standard.
On 5 Pole Unit, Voltage Pole to be located at P3 as standard.

[Configure Complete Part Number >](#)

[Browse Standard Parts >](#)

Ordering Scheme UL 1077 Recognized

Sample Part Number **C X 1 - B 0 - 14 - 620 - 2 2 A - 10 C**

Selection 1 2 3 4 5 6 7 8 9 10 11 12

1. SERIES

C

2. ACTUATOR

X Handle, one per pole

3. POLES ⁷

1 One 3 Three
2 Two 4 Four¹⁰

4. CIRCUIT

A Switch Only (no coil)^{1, 9}
B Series Trip (current)
G Relay Trip (voltage)^{1, 2, 3, 9}

5. AUXILIARY SWITCH

0 Without Aux Switch

6. FREQUENCY & DELAY

03 DC 50/60Hz, Switch Only
10 DC Instantaneous
11 DC Ultra Short
12 DC Short
14 DC Medium
16 DC Long

7. CURRENT RATING (AMPERES)

| CODE | AMPERES | | | | |
|------|---------|-----|-------|-----|---------|
| 220 | 0.200 | 415 | 1.500 | 490 | 9.000 |
| 225 | 0.250 | 517 | 1.750 | 495 | 9.500 |
| 230 | 0.300 | 420 | 2.000 | 610 | 10.000 |
| 235 | 0.350 | 522 | 2.250 | 710 | 10.500 |
| 240 | 0.400 | 425 | 2.500 | 611 | 11.000 |
| 245 | 0.450 | 527 | 2.750 | 711 | 11.500 |
| 250 | 0.500 | 430 | 3.000 | 612 | 12.000 |
| 255 | 0.550 | 435 | 3.500 | 712 | 12.500 |
| 260 | 0.600 | 440 | 4.000 | 613 | 13.000 |
| 265 | 0.650 | 445 | 4.500 | 614 | 14.000 |
| 270 | 0.700 | 450 | 5.000 | 615 | 15.000 |
| 275 | 0.750 | 455 | 5.500 | 616 | 16.000 |
| 280 | 0.800 | 460 | 6.000 | 617 | 17.000 |
| 285 | 0.850 | 465 | 6.500 | 618 | 18.000 |
| 290 | 0.900 | 470 | 7.000 | 620 | 20.000 |
| 295 | 0.950 | 475 | 7.500 | 622 | 22.000 |
| 410 | 1.000 | 480 | 8.000 | 624 | 24.000 |
| 512 | 1.250 | 485 | 8.500 | 625 | 25.000 |
| | | | | 630 | 30.000 |
| | | | | 635 | 35.000 |
| | | | | 640 | 40.000 |
| | | | | 650 | 50.000 |
| | | | | 660 | 60.000 |
| | | | | 665 | 65.000 |
| | | | | 670 | 70.000 |
| | | | | 675 | 75.000 |
| | | | | 680 | 80.000 |
| | | | | 685 | 85.000 |
| | | | | 690 | 90.000 |
| | | | | 695 | 95.000 |
| | | | | 810 | 100.000 |
| | | | | 911 | 115.000 |
| | | | | 912 | 125.000 |

8. TERMINAL ⁸

2 Screw, 10-32
3 Stud, 1/4-20
5 Screw, M5
6 Stud, M6

9 ACTUATOR COLOR & LEGEND

| Actuator Color | I-O | ON-OFF | Dual | Legend Color |
|----------------|-----|--------|------|--------------|
| White | A | B | 1 | Black |
| Black | C | D | 2 | White |
| Red | F | G | 3 | White |
| Green | H | J | 4 | White |
| Blue | K | L | 5 | White |
| Yellow | M | N | 6 | Black |
| Gray | P | Q | 7 | Black |
| Orange | R | S | 8 | Black |

10. MOUNTING INSERTS

A 6-32 Thread
B M3 Thread

11. MAXIMUM APPLICATION RATING

10 300VDC
11 440 VDC without factory installed terminal bus⁴
14 440VDC with factory installed terminal bus⁴
06 600VDC⁵
18 220/440VDC¹¹

12. AGENCY APPROVAL

A Without Approvals
C UL 1077 Recognized
W UL 1077 Recognized & TUV Certified IEC/ EN 60947-2⁹

Notes:

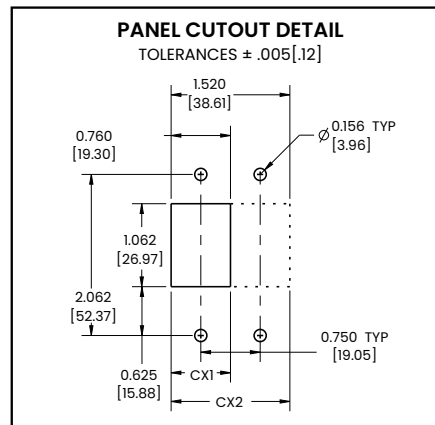
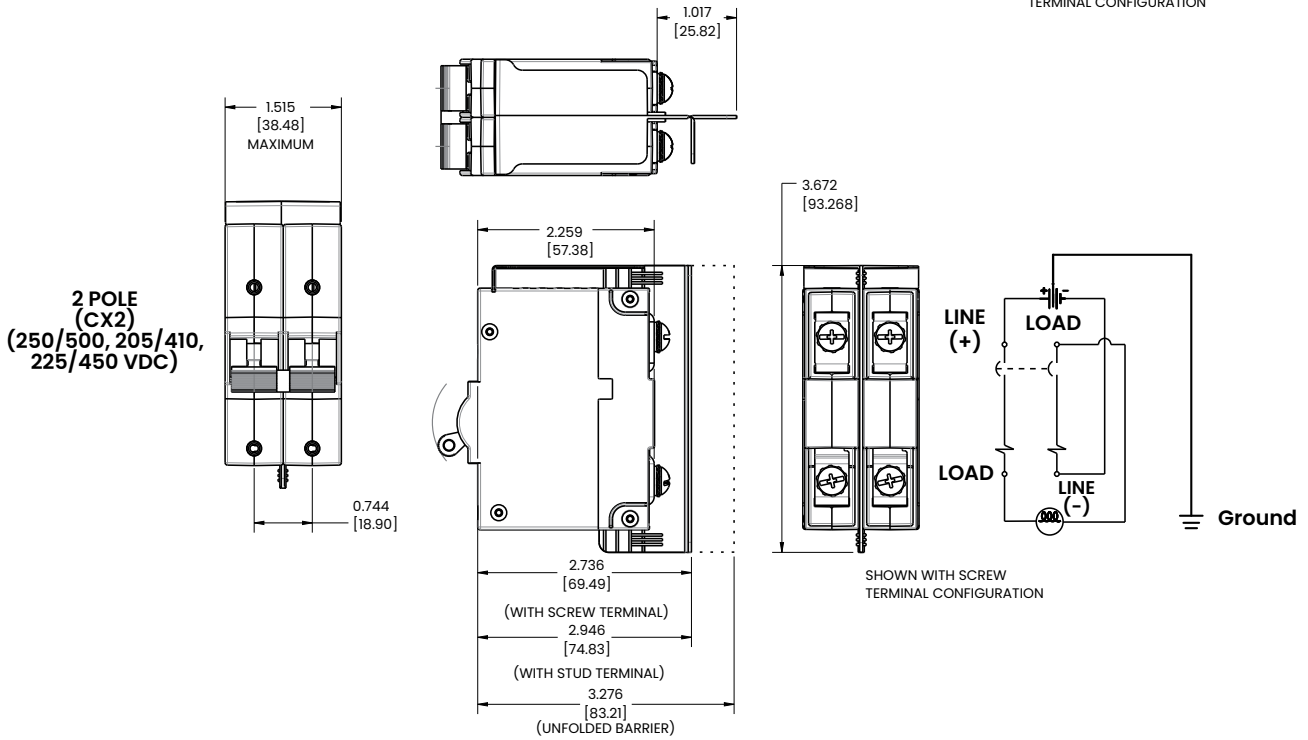
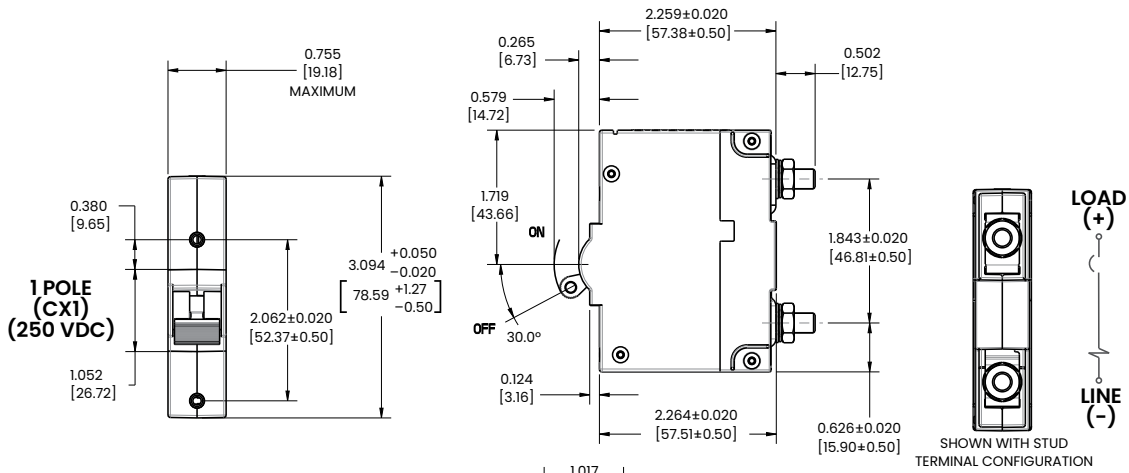
- 1 Only available when tied to a protected pole. Requires special part number consult factory for details
- 2 Voltage trip circuit coil not rated for continuous duty - use instantaneous delay code 10
- 3 Contacts Rated for 20A @ 80 VDC
- 4 440 VDC Rating available in two different wiring configurations.
- 5 600 VDC only available with factory installed terminal bus.
- 6 Single pole units available up to 125A, multi pole units limited to 115A Max.
- 7 3 Pole units must include one Auxiliary switch pole (circuit code A or G) - Requires Special Part Number. Unless breaker is rated 220/440 VDC (Voltage Code 18) in which case Circuit Code B is required.
- 8 Screw Terminals are limited to 50A max.
- 9 Agency approval code W only available with 440 VDC or 220/440 VDC rating and circuit code B.
- 10 4 Pole 600 VDC units only available up to 75A Max.
- 11 3 Pole 220/440 VDC units only available in one specific wiring configuration. See dimensional specifications pages for more details

[Configure Complete Part Number >](#)

[Browse Standard Parts >](#)

Dimensional Specs UL 489 Listed

inches [millimeters]

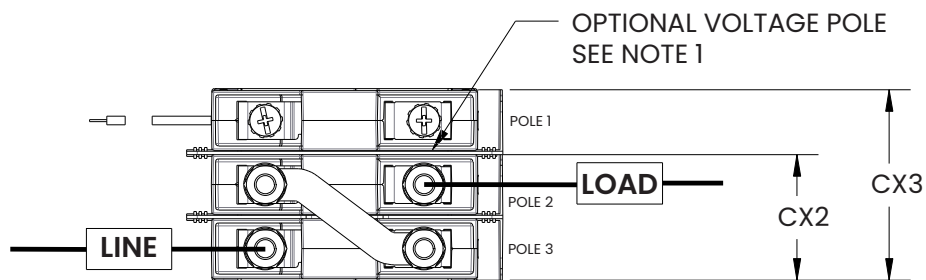
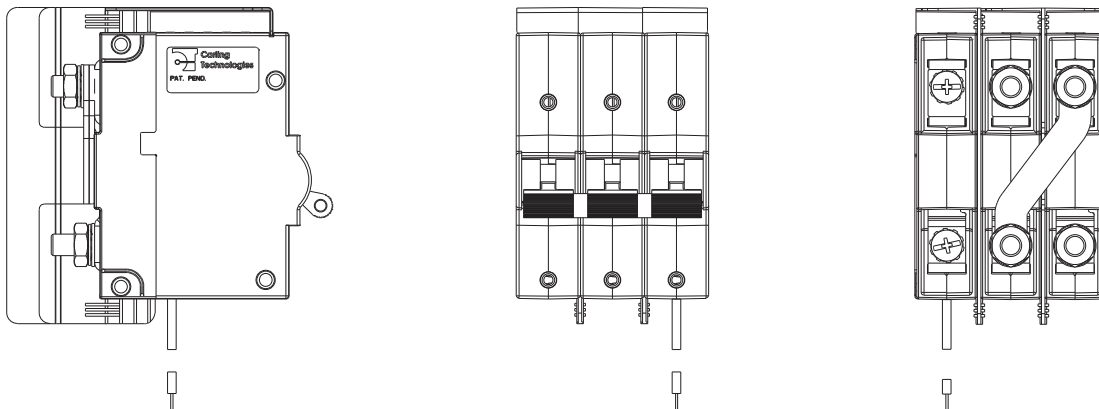


Notes:
1 600V Rating requires minimum of 2 protected poles

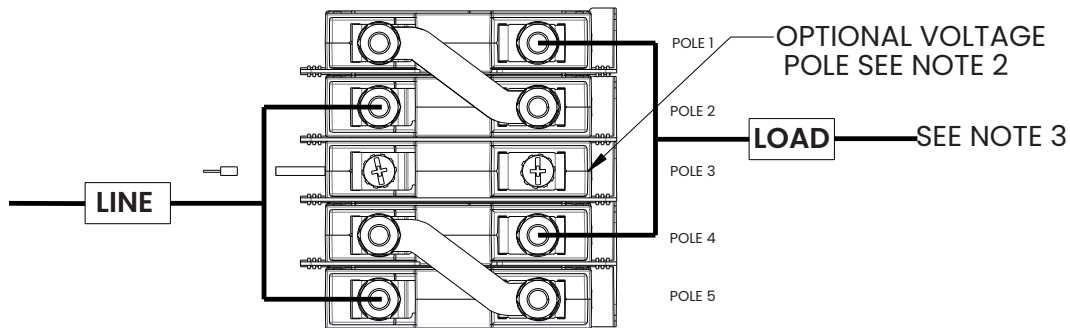
COS-8119 Rev: C
*Manufacturer reserves the right to change product specification without prior notice.

Dimensional Specs UL 489B Listed

inches [millimeters]



CX3-2 POLE SWITCH (CX2) SHOWN
WITH OPTIONAL VOLTAGE POLE
50A-100A DEVICE, 600VDC



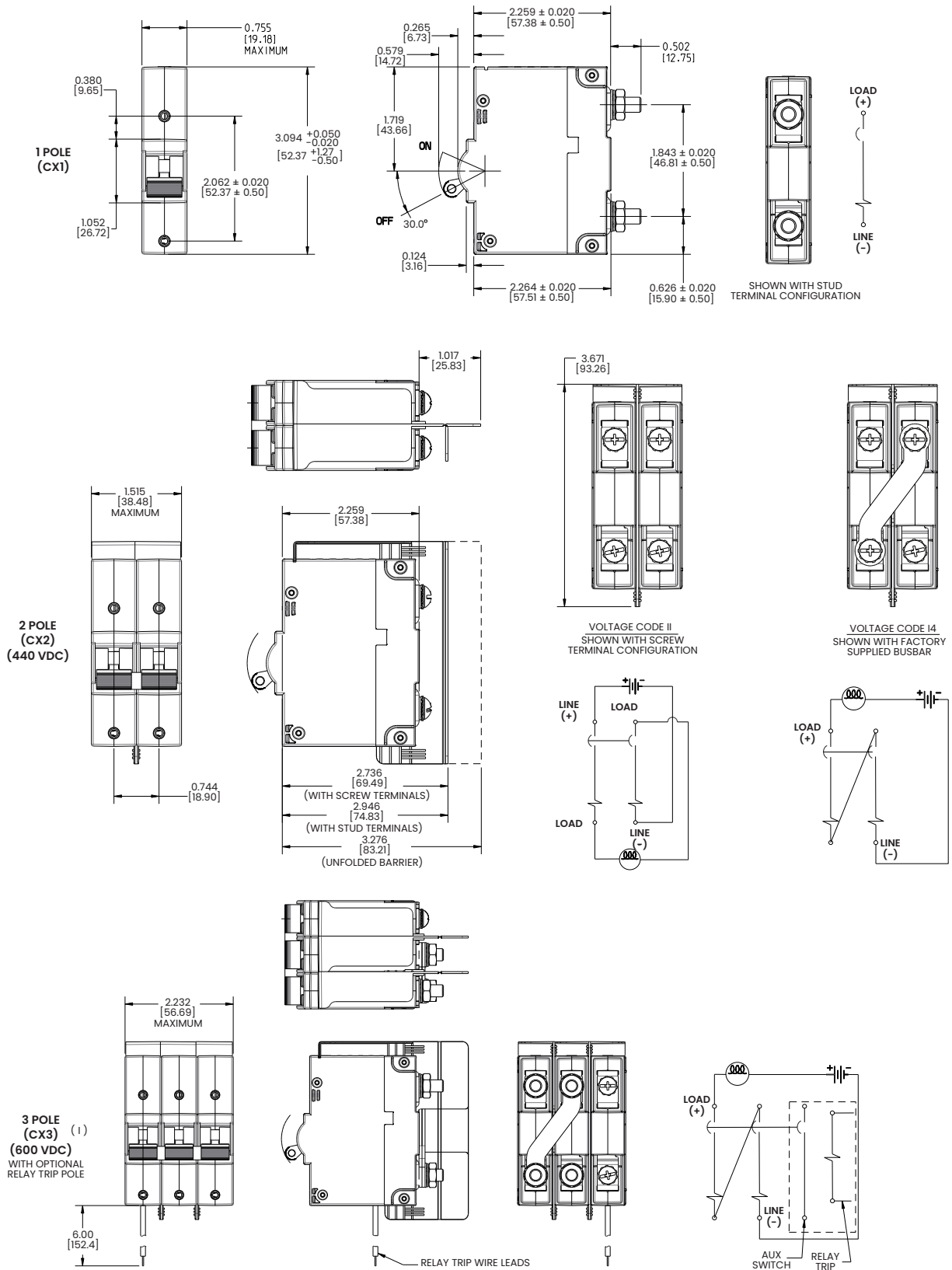
CX5-4 POLE SWITCH (CX4) SHOWN
WITH OPTIONAL VOLTAGE POLE
101A-175A DEVICE, 600VDC

Notes:

- 1 3 pole configuration supplied with voltage coil on pole 1. Optional location pole 3. Consult factory.
- 2 5 pole configuration supplied with voltage coil in center pole. (Pole 3)
- 3 Line & Load connections requires bus connection as shown.
Minimum cross section .127 in² (81.94 mm²)

Dimensional Specs UL 1077 Recognized

inches [millimeters]

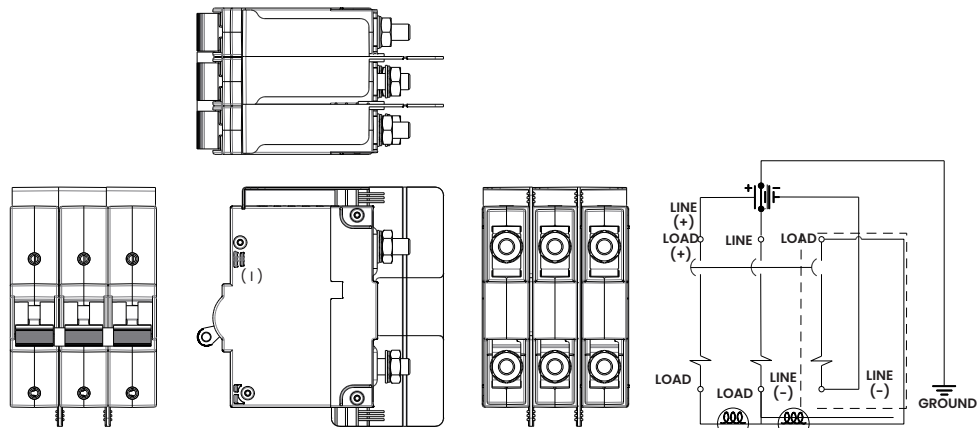


Notes:
 1 600V Rating requires minimum of 2 protected poles

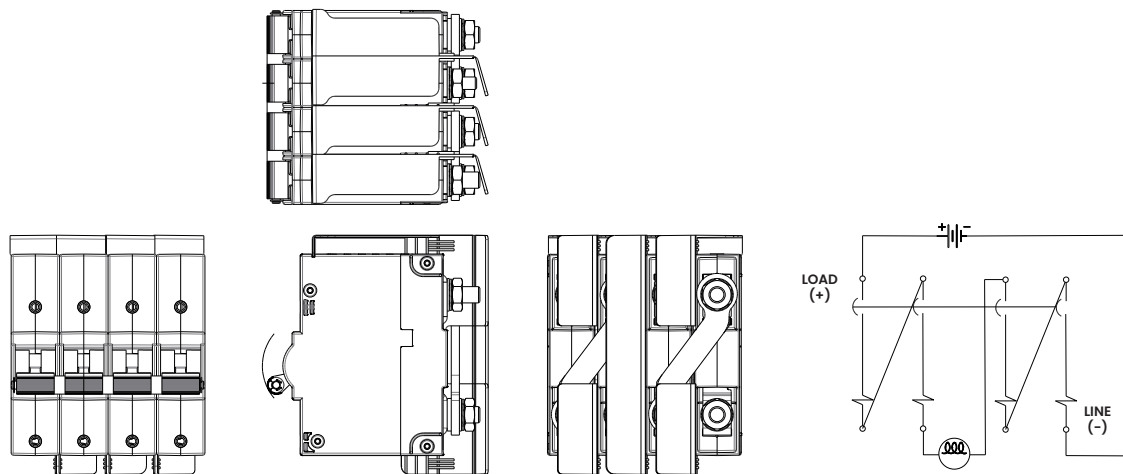
Dimensional Specs UL 1077 Recognized

inches [millimeters]

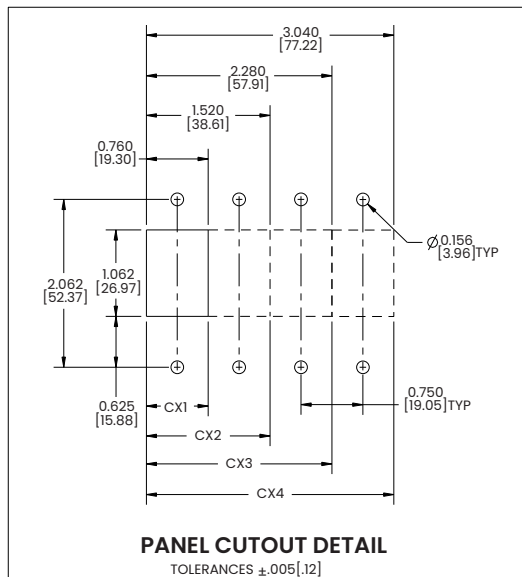
**3 POLE
(CX3)
(220/440 VDC)**



**4 POLE
(CX4) (1,2)
(600 VDC)**



(2) FOUR POLE UNIT AVAILABLE UP TO 75A MAXIMUM



Notes:

- 1 600V Rating requires minimum of 2 protected poles

Authorized Sales Representatives and Distributors

Click on a region of the map below to find your local representatives and distributors or visit www.carlingtech.com/findarep.



About Carling

Founded in 1920, Carling Technologies is a leading manufacturer of electrical and electronic switches and assemblies, circuit breakers, electronic controls, power distribution units, and multiplexed power distribution systems. With six ISO9001 and IATF16949 registered manufacturing facilities and technical sales offices worldwide, Carling Technologies Sales, Service and Engineering teams do much more than manufacture electrical components, they engineer powerful solutions! To learn more about Carling please visit www.carlingtech.com/company-profile.

To view all of Carling's environmental, quality, health & safety certifications please visit www.carlingtech.com/environmental-certifications.