

TLG-Series

Rocker Switches

PRODUCT WEBPAGE

request sample, configure part



The TLG-Series Mid-Sized Tippet snap-in rocker switches are single pole, rocker or paddle actuated with an adjacent indicator light. These single-actuator-switches are AC rated to 15 amps and are also suitable for low voltage DC applications.

1	5-15	125-250	6-28
Pole	Amps	VAC	VDC

Typical Applications

- Appliances
- Transportation
- Medical
- HVAC
- Commercial Food

Tech Specs

Dielectric Strength

UL/CSA: 1000V - live to dead metal parts

Electrical Life

50,000 cycles - maintained
25,000 cycles - momentary

Operating Temperature

32°F to 185°F (0°C to 85°C)

Ordering Scheme

Sample Part Number **TLG G - D R - TA 20 1 - T B - B W / 125N**

Selection 1 2 3 4 5 6 7 8 9 10 11 12

1. SERIES

TLG Single Pole with adjacent Indicator Light

2. CIRCUIT see next page for diagram

Available with circuits G, H, I, J, K

3. LENS DESIGN

D Diamond **L** Long Line

4. LENS COLOR

A Amber **G** Green **W** White
C Clear **R** Red

5. BASIC SWITCH NUMBER

TA On-None-Off **TC** On-Off-On
TB On-None-On **LTA** On-None-Off, Lighted

6. RATING

10 5A 250VAC, 10A 125VAC, 1/2HP 125-250VAC
20 10A 250VAC, 15A 125VAC, 3/4HP 125-250VAC
21 10A 250VAC, 15A 125VAC

7. TERMINATION / FUNCTION

	Solder Lug	.250 Tab QC	.187 Tab QC	Wire Leads
On-None-Off	0	1	3	5
(On)-None-Off	A	B	D	F
On-None-(Off)	L	M	R	T
On-None-On	0	1	3	5
On-None-(On)	A	B	D	F
On-Off-On	0	1	3	5

8. ACTUATOR STYLE ²

P Paddle
T Rocker
PS Short Paddle

9. ACTUATOR COLOR

unlighted ²
B Black
W White

lighted
A Amber
C Clear
G Green
LU Blue
R Red

10. BASE COLOR ²

B Black **W** White

11. LENS COLOR ^{1,3}

A Amber **G** Green **R** Red
C Clear **LU** Blue **W** White

12. LAMP VOLTAGE ¹

incandescent **neon**

6V 6 volt **125N** 125 volt neon
12V 12 volt **250N** 250 volt neon
18V 18 volt
24V 24 volt
28V 28 volt

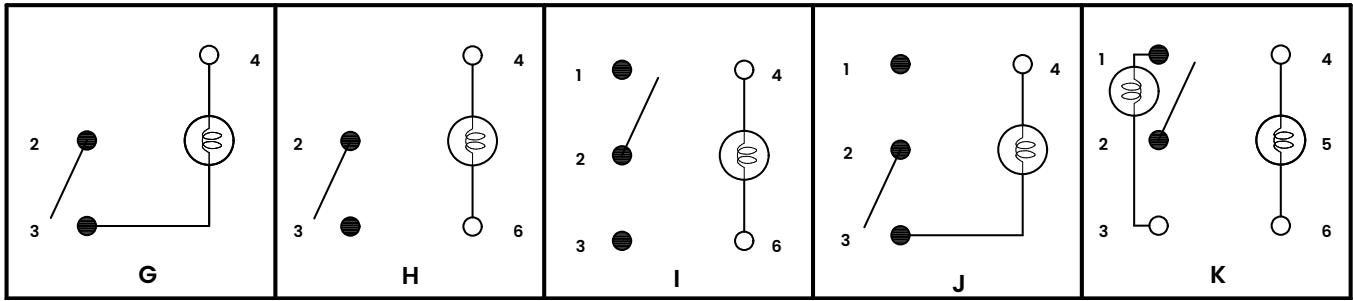
Notes: Imprinting is available. Consult factory.
Panel Cut-Out Recommendations: For sheet metal panels, switch must enter panel in same direction as the punch. (Burr on bottom.) Test cut hole in actual material.
¹ Neon Lamps not recommended with green or blue actuators and lenses.
² Custom colors are available. Consult factory.
³ Specify lens color only if actuator is lighted paddle.
() Indicates momentary function.

[Configure Complete Part Number >](#)

[Browse Standard Parts >](#)

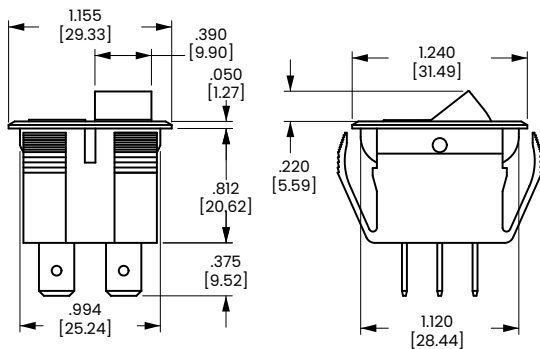
Ordering Scheme Diagram

2. CIRCUIT

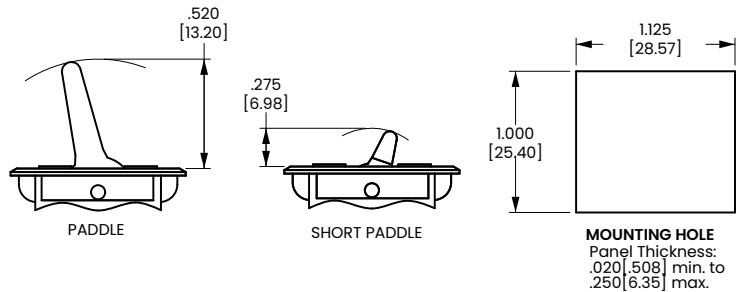


Dimensional Specs

inches [millimeters]



<p>.069 [1.75] DIA .250 [6.35]</p>	<p>.156 [1.75] DIA .375 [9.52] .250 [6.35]</p>	<p>.055 [1.75] DIA .250 [6.35] .187 [4.74]</p>	<p>6.000 [152.40] .500 [12.70]</p>
TERMINAL TYPE			



Authorized Sales Representatives and Distributors

Click on a region of the map below to find your local representatives and distributors or visit www.carlingtech.com/findarep.



About Carling

Founded in 1920, Carling Technologies is a leading manufacturer of electrical and electronic switches and assemblies, circuit breakers, electronic controls, power distribution units, and multiplexed power distribution systems. With six ISO9001 and IATF16949 registered manufacturing facilities and technical sales offices worldwide, Carling Technologies Sales, Service and Engineering teams do much more than manufacture electrical components, they engineer powerful solutions! To learn more about Carling please visit www.carlingtech.com/company-profile.

To view all of Carling's environmental, quality, health & safety certifications please visit www.carlingtech.com/environmental-certifications.

© Carling Technologies, Inc.

4. Carling, Tippet are registered trademarks of Carling Technologies, Inc. in the U.S. and other countries.